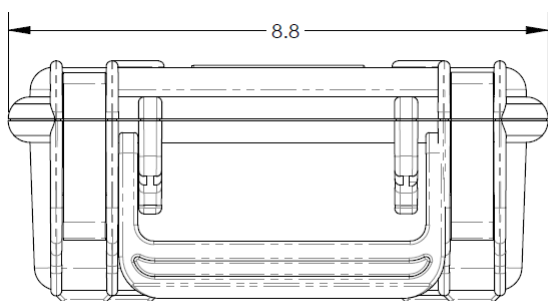
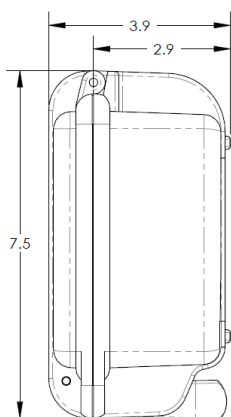


Portable PPM Oxygen Analyzer with USB Data Logging



- 0 - 10 PPM Low Range; 0 - 25% High Range
- Large Backlit Display w/ User Friendly Menu
- Data Log via Removable USB Flash Drive
- Swagelok Quick Disconnect Isolation
- Continuous Analysis during Charging
- Electrochemical Sensor Technology

Specifications:

Accuracy:	< 1% of Full Scale Range*
Analysis Range:	0-10/100/1000ppm/1%/25%
Battery Indicator:	Integrated into Display
Calibration:	Periodically
Classification:	IP67 / NEMA4X
Data Logging:	Removable USB Flash Drive
Dimensions:	8.80 x 7.50 x 3.90 inch
Display:	Integrated w/ Backlight
Enclosure:	Rugged Polypropylene
Flow Sensitivity:	0.5 - 5 SCFH
Gas Connections:	1/8" Tube Quick Disconnect
Output (Analog):	0 - 1V DC
Power:	Rechargeable Battery 100 - 240 VAC AC Adapter
Pressure:	Inlet, 0 - 50 PSIG
Response Time:	T90 in 10 Seconds
Sensor:	TO2-1x Trace O2 Sensor
Sensor Life:	20 - 25 months
Temperature:	0 - 50 deg C
Temperature Compensation:	Integral
Warranty:	12 months
Weight:	4.8 lbs

Applications:

- Glove box or Pipeline Leak Detection
- Air Separation & Liquification
- Headspace Gas Analysis
- Beverage Grade CO2 Monitoring
- Heat Treating & Bright Annealing
- Inert Gas Welding of Exotic Materials



"Inquiry for Application Expertise"

DASTEC S.R.L.

Representantes / Distribuidores Autorizados

Argentina

Tel: (+54 11) 5352 2500

Email: info@dastecsrl.com.ar

Web: www.dastecsrl.com.ar

Uruguay www.dastecsrl.com.uy

Paraguay www.dastecsrl.com.py

Optional Accessories:

- Optional Ranges: Fully Configured From Factory
- TO2-2x Oxygen Sensor with > 0.5% CO2 Present
- Integral Sampling Pump (OMD-580P)